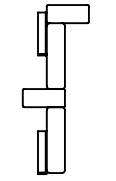
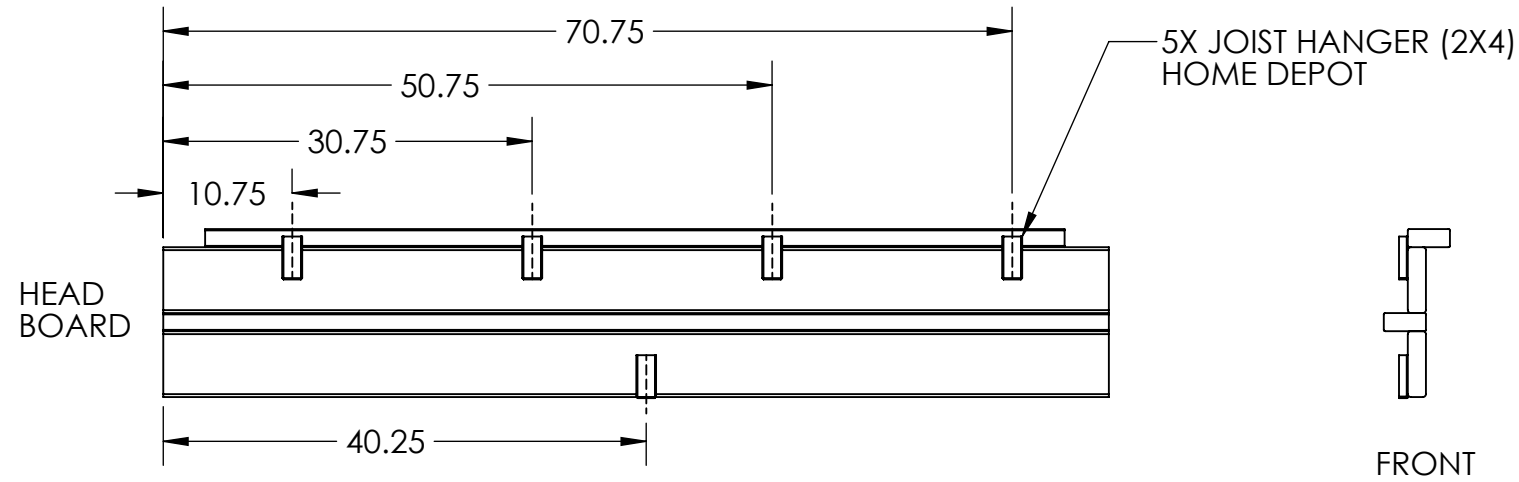


1 2 3 4 5 6 7 8 9 10 11 12 13 14 15 16

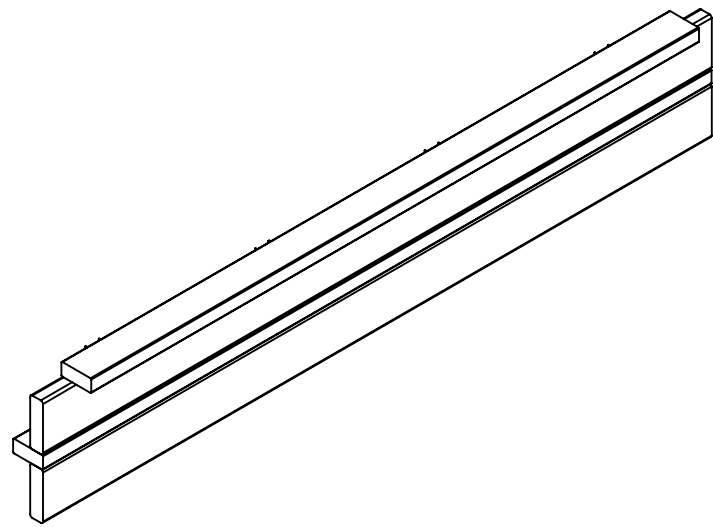
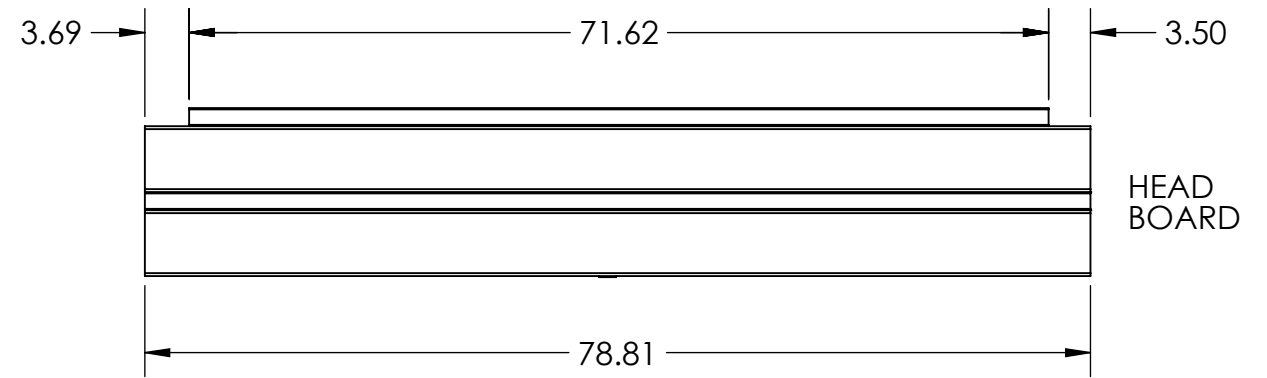
A
B
C
D
E
F
G
H
I
J

A
B
C
D
E
F
G
H
I
J

NOTES:
1. RIGHT SIDE ASSEMBLY SHOWN, LEFT SIDE IS MIRRORED



FRONT

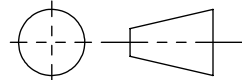


DIMENSIONS IN INCHES [mm]

TOLERANCES (U.O.S.)

THIRD ANGLE PROJECTION

.X ±.5
.XX ±.125



VriMech

LAST UPDATED 2021-07-10

TITLE SIDE SUPPORT ASSY.

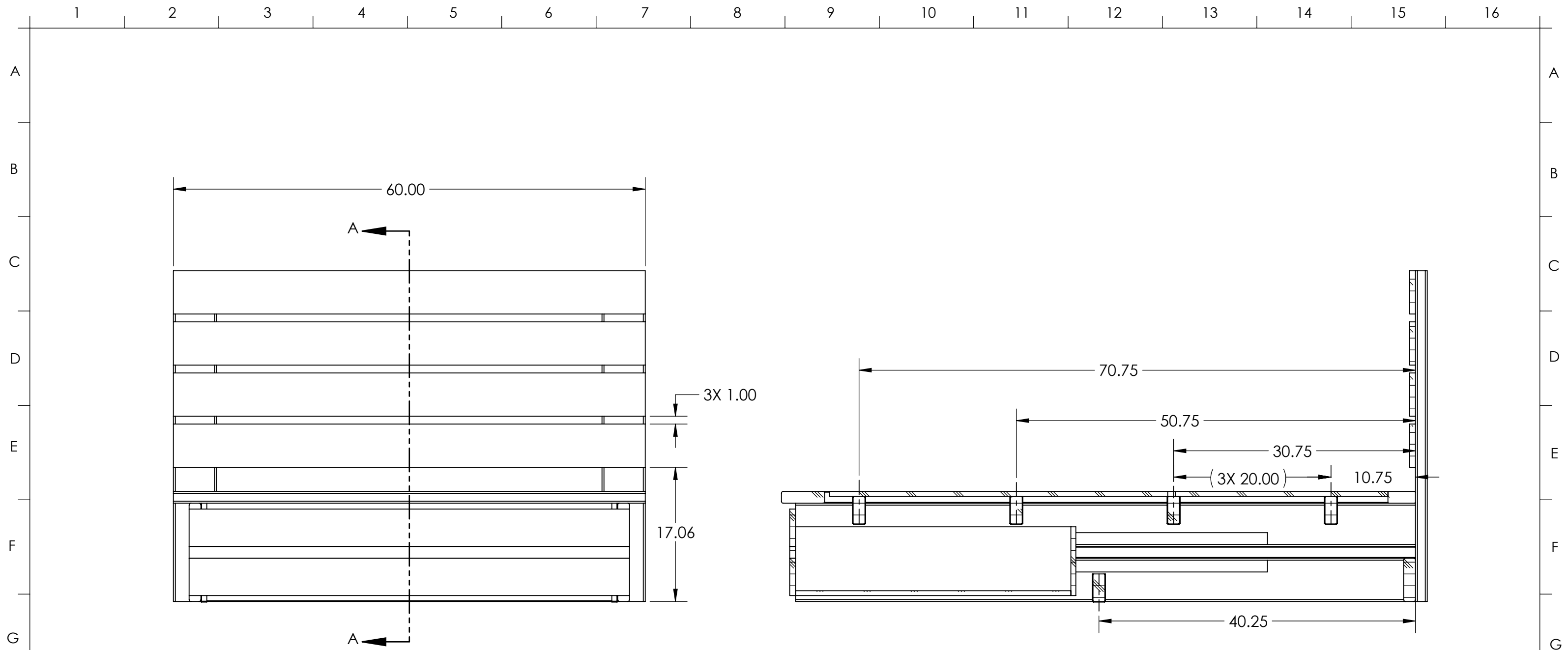
DWG. NO. QUEEN BED

REV A

DO NOT SCALE DRAWING

SHEET 2 OF 9

1 2 3 4 5 6 7 8 9 10 11 12 13 14 15 16



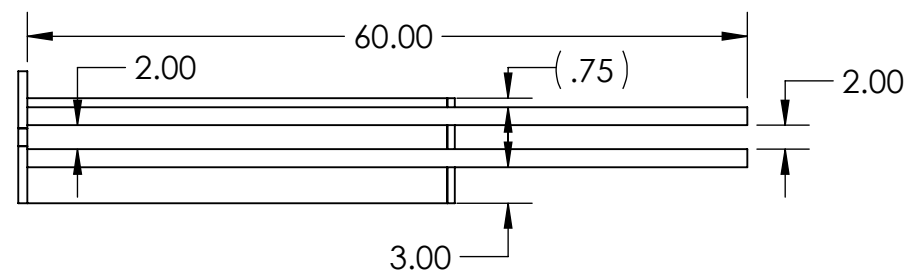
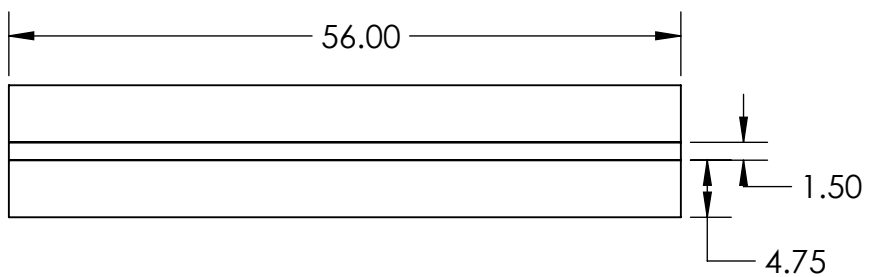
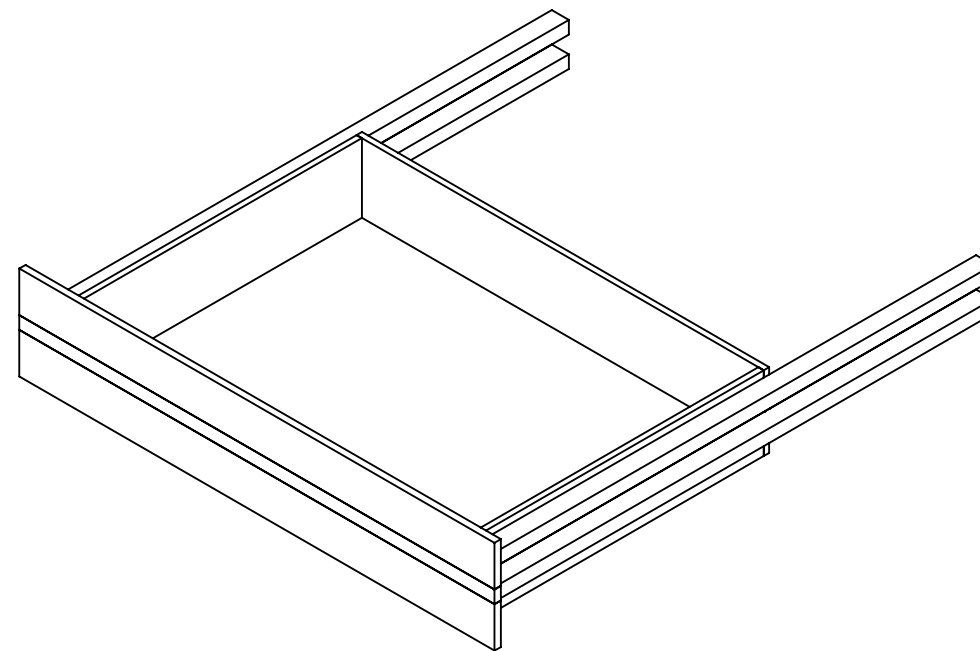
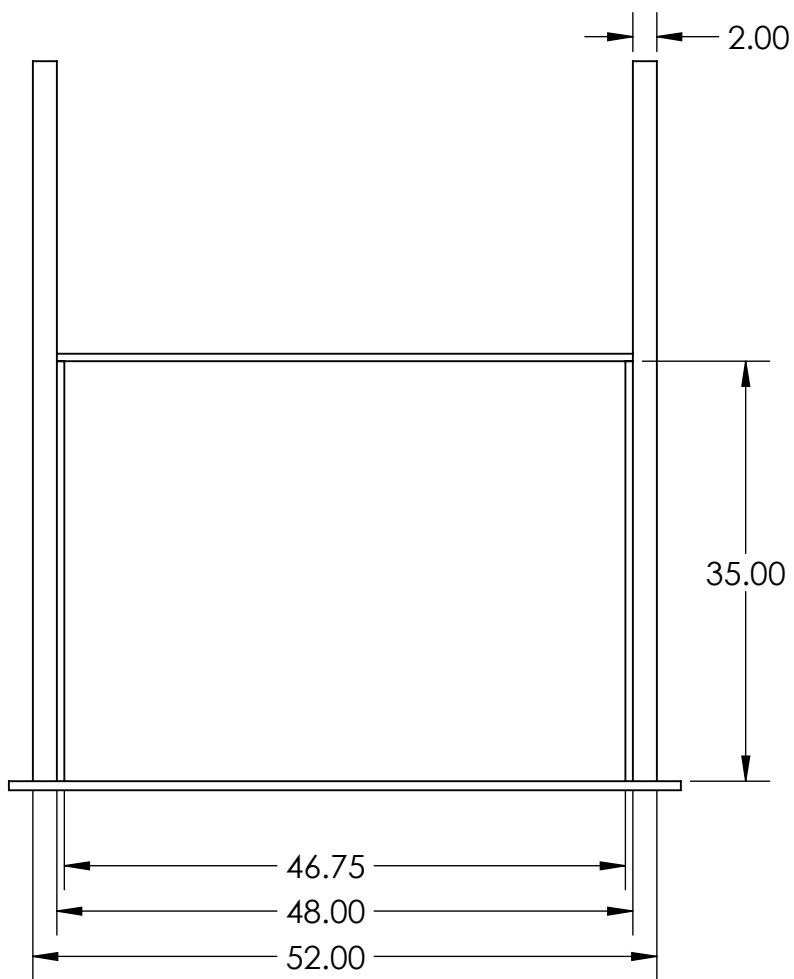
SECTION A-A
SCALE 1 : 12

DIMENSIONS IN INCHES [mm]
THIRD ANGLE PROJECTION

TOLERANCES (U.O.S.)
.X ± .5
.XX ± .125

VriMech
LAST UPDATED 2021-07-10

TITLE SIDE SECTION VIEW	
DWG. NO. QUEEN BED	REV A
DO NOT SCALE DRAWING	SHEET 3 OF 9

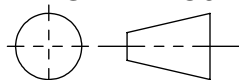


DIMENSIONS IN INCHES [mm]

TOLERANCES (U.O.S.)

THIRD ANGLE PROJECTION

.X ±.5
.XX ±.125



VriMech

TITLE DRAWER

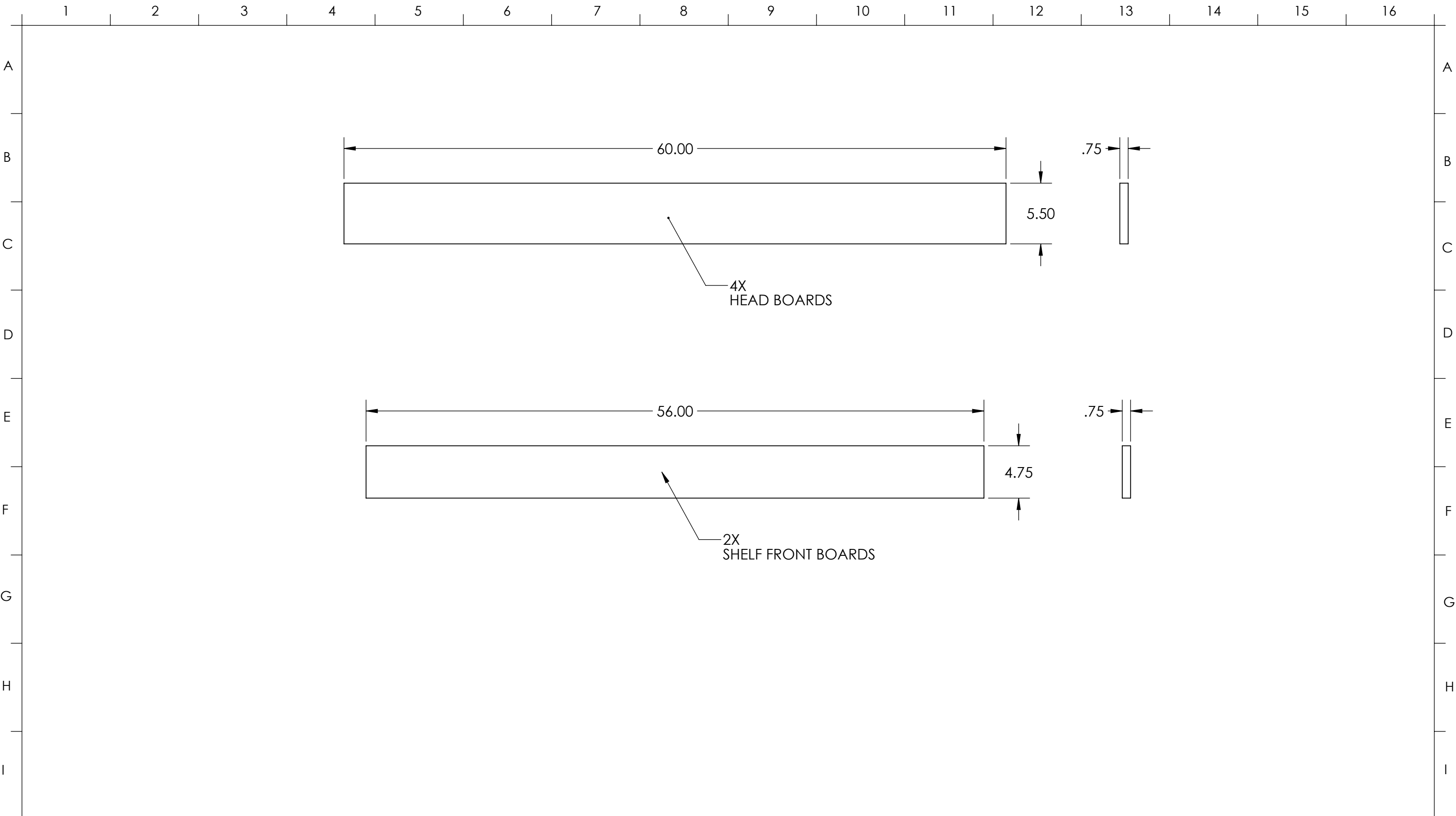
DWG. NO. QUEEN BED

REV A

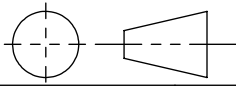
LAST UPDATED 2021-07-10

DO NOT SCALE DRAWING

SHEET 4 OF 9



DIMENSIONS IN INCHES [mm]
 THIRD ANGLE PROJECTION



TOLERANCES (U.O.S.)
 .X ±.5
 .XX ±.125



LAST UPDATED 2021-07-10

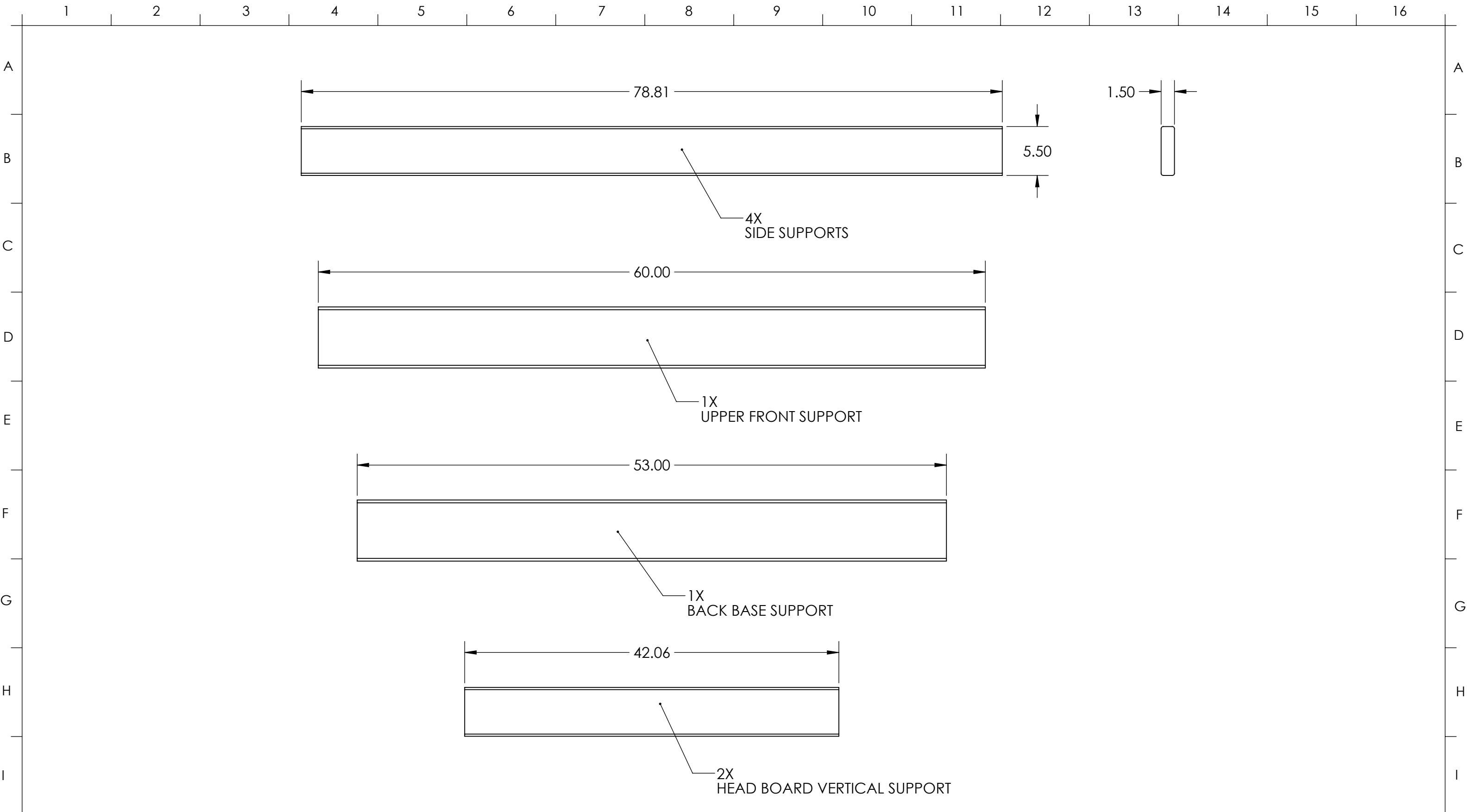
TITLE 1 X 6 X 3/4" BOARDS

DWG. NO. QUEEN BED

REV **A**

DO NOT SCALE DRAWING

SHEET 5 OF 9



DIMENSIONS IN INCHES [mm]

THIRD ANGLE PROJECTION

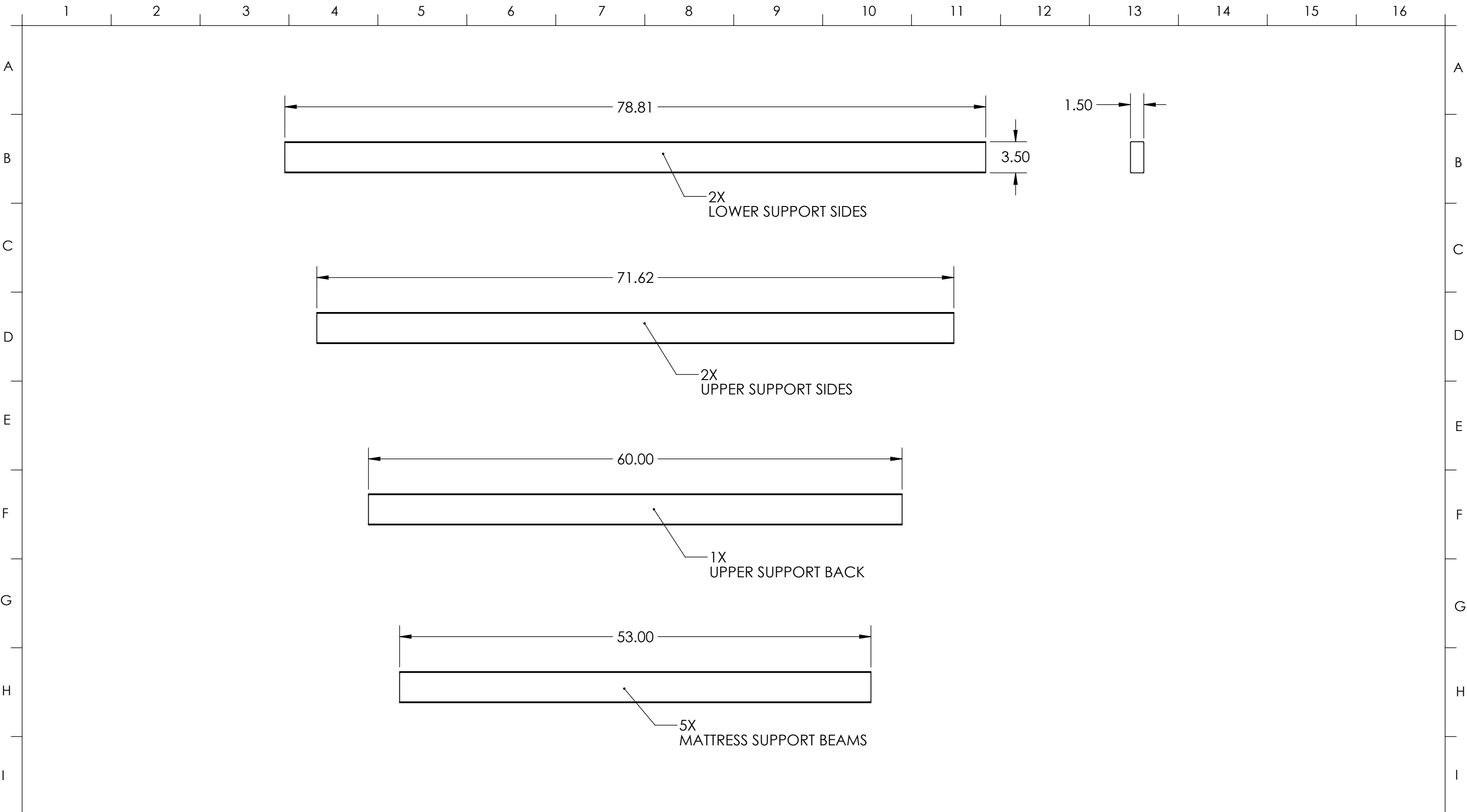
TOLERANCES (U.O.S.)

.X	±.5
.XX	±.125

VriMech

LAST UPDATED 2021-07-10

TITLE 2X6 LUMBER	
DWG. NO. QUEEN BED	REV A
DO NOT SCALE DRAWING	SHEET 6 OF 9



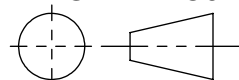
DIMENSIONS IN INCHES [mm]

TOLERANCES (U.O.S.)

THIRD ANGLE PROJECTION

.X ±.5

.XX ±.125



VriMech

TITLE 2X4 LUMBER

DWG. NO. QUEEN BED

REV A

LAST UPDATED 2021-07-10

DO NOT SCALE DRAWING

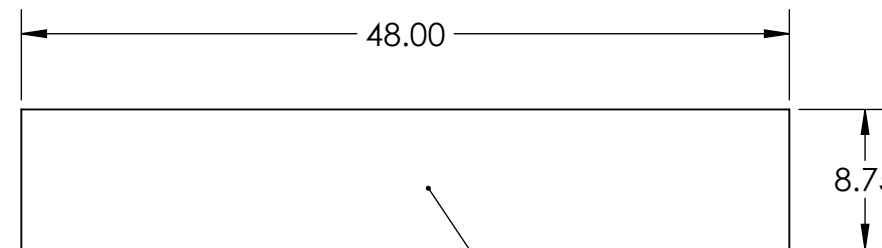
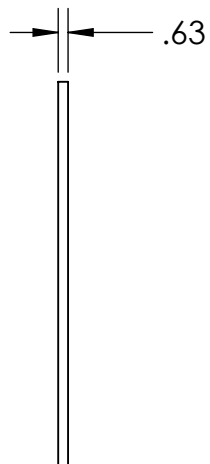
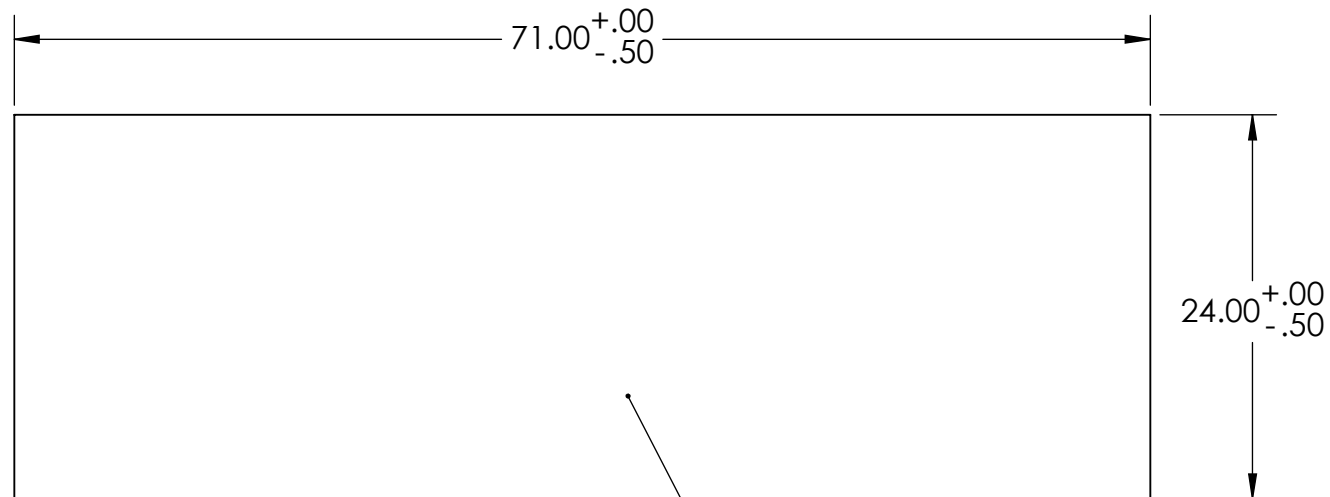
SHEET 7 OF 9

1 2 3 4 5 6 7 8 9 10 11 12 13 14 15 16

A B C D E F G H I J

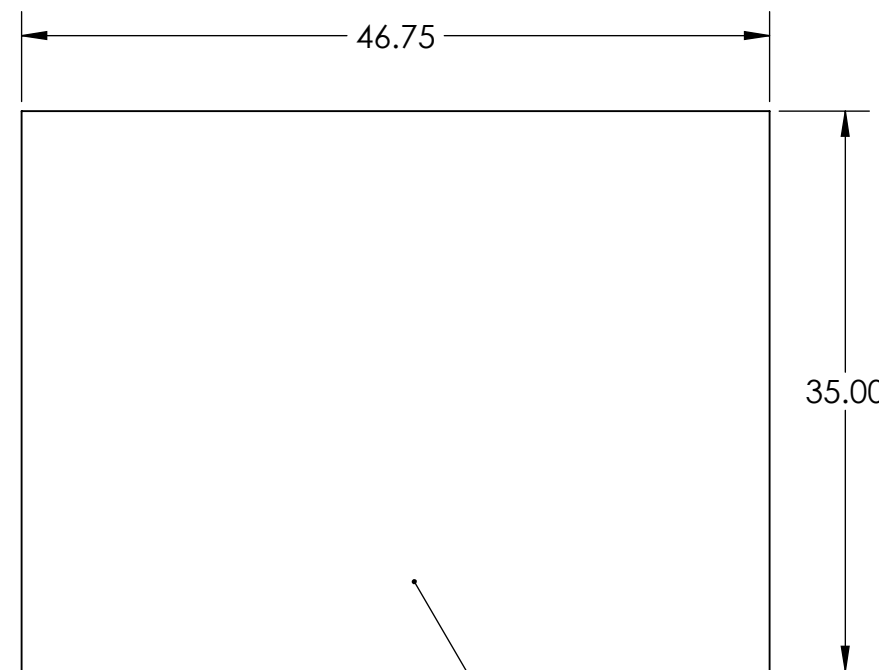
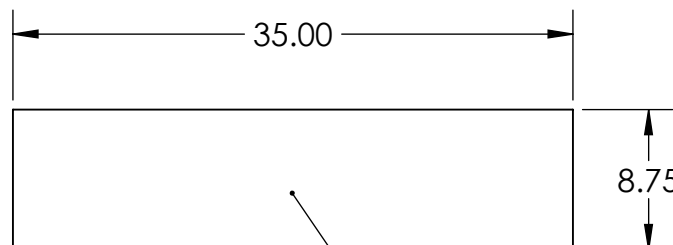
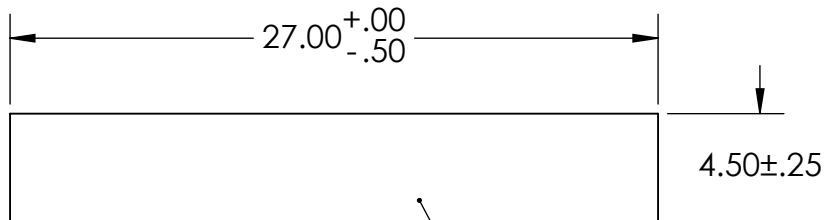
NOTES:

- PERMISSIBLE TO SPLIT MATTRESS SUPPORTS FURTHER INTO SMALLER PIECES FOR EASIER TRANSPORTATION
 - ENSURE SHEET ENDS ARE SUPPORTED BY FRAME
 - COMPLETE COVERAGE UNDERNEATH MATTRESS MAY NOT BE REQUIRED



2X
MATTRESS SUPPORTS

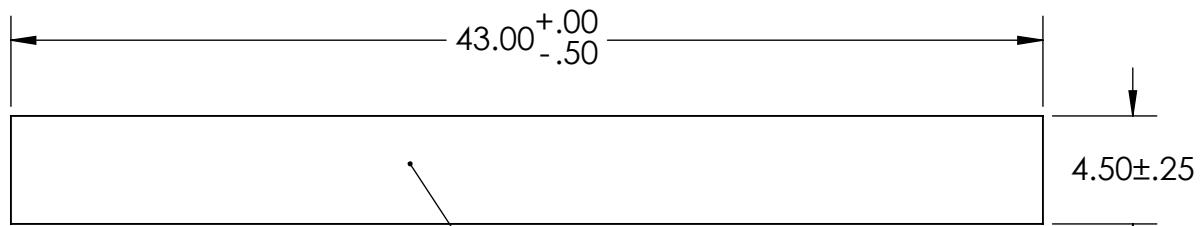
1X
DRAWER BACK



1X
MATTRESS SUPPORT, FILLER

2X
DRAWER SIDES

1X
DRAWER BOTTOM



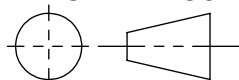
1X
MATTRESS SUPPORT, FILLER

DIMENSIONS IN INCHES [mm]

TOLERANCES (U.O.S.)

THIRD ANGLE PROJECTION

.X ± .5
.XX ± .125



VriMech

TITLE PLYWOOD

DWG. NO. QUEEN BED

REV A

LAST UPDATED 2021-07-10

DO NOT SCALE DRAWING

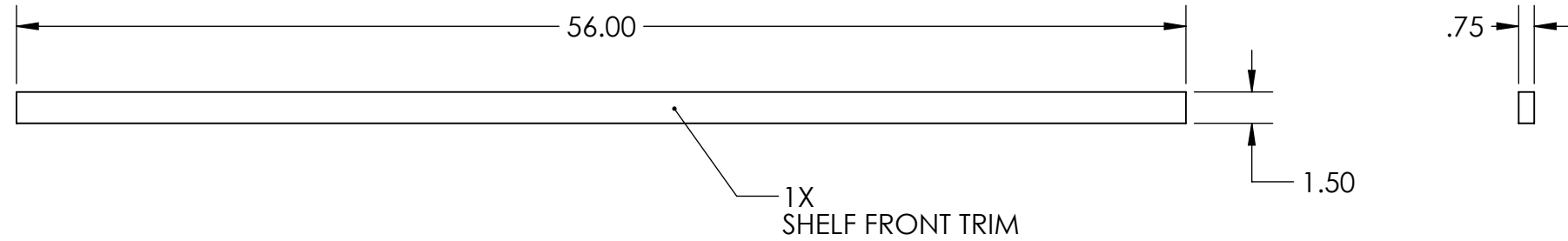
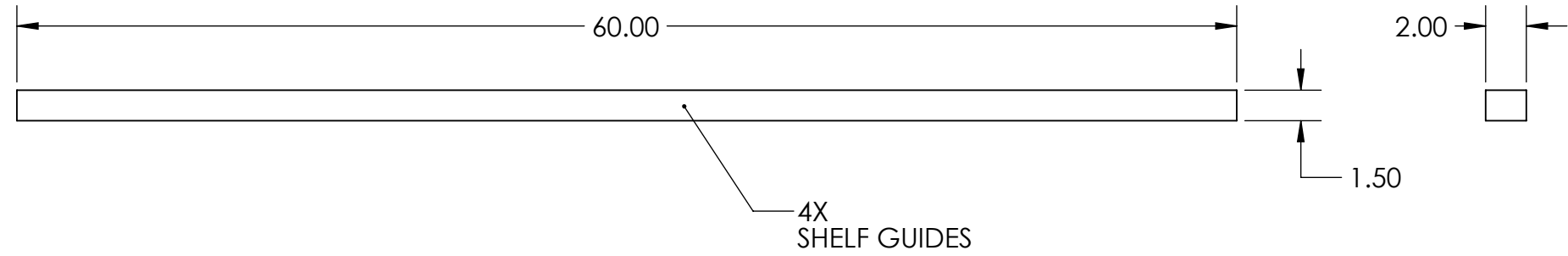
SHEET 8 OF 9

1 2 3 4 5 6 7 8 9 10 11 12 13 14 15 16

1 2 3 4 5 6 7 8 9 10 11 12 13 14 15 16

A
B
C
D
E
F
G
H
I
J

NOTES:
1. 1.5 X 1.5 LUMBER COULD WORK AS A REPLACEMENT FOR 1.5 X 2 SHELF GUIDES IN CASE OF NO TABLE SAW

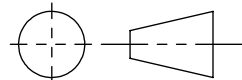


DIMENSIONS IN INCHES [mm]

TOLERANCES (U.O.S.)

THIRD ANGLE PROJECTION

.X ±.5
.XX ±.125



VriMech

TITLE MISC. BOARDS

DWG. NO. QUEEN BED

REV A

LAST UPDATED 2021-07-10

DO NOT SCALE DRAWING

SHEET 9 OF 9

1 2 3 4 5 6 7 8 9 10 11 12 13 14 15 16